

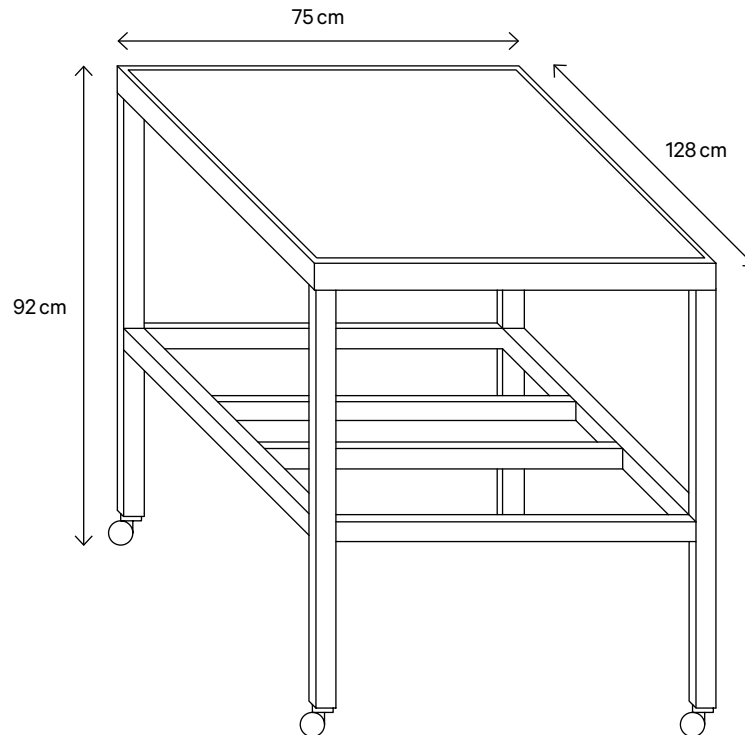
# Scape® Lab



**Mobile High-Performance Multi-Touch Table  
with Tangible Object Recognition**

# Scape® Lab

A reliable multi-touch table on wheels which is easy to relocate and ready to use, featuring built-in tangible object recognition.



Scape® Lab 55

## Interactive Display with Capore® Object Recognition

- Reliable 3M™ projected capacitive multi-touch technology (PCap)
- 4K/UHD (3840 × 2160 px) LC-Display

➤ Details see Specs **Scape®** Tangible 43/55/65

## Design Base

- Steel frame, powder coated
- Traffic black RAL 9017, semi-gloss finish
- 4 locking caster wheels

## Options

- **Capore®** Object Basic: up to 10 IDs
- **Capore®** Object Plus: unlimited IDs
- **Capore®** Object Magnify: up to 3 IDs
- **Capore®** Shape: up to 3 IDs
- **Capore®** Custom

## Further Options

- Application PC
- Flightcase ST43/55/65

### Scape® Lab 43

Article No:	s_sla-001
Dimensions (W × H × D)	100 × 60 × 92 cm
Weight	59.5 kg

### Scape® Lab 55

Article No:	s_sla-002
Dimensions	128 × 75 × 92 cm
Weight	79.5 kg

### Scape® Lab 65

Article No:	s_sla-003
Dimensions	153 × 90.5 × 92 cm
Weight	103.5 kg



## Specifications

[www.interactive-scape.com/link/en/scape\\_lab](http://www.interactive-scape.com/link/en/scape_lab)