

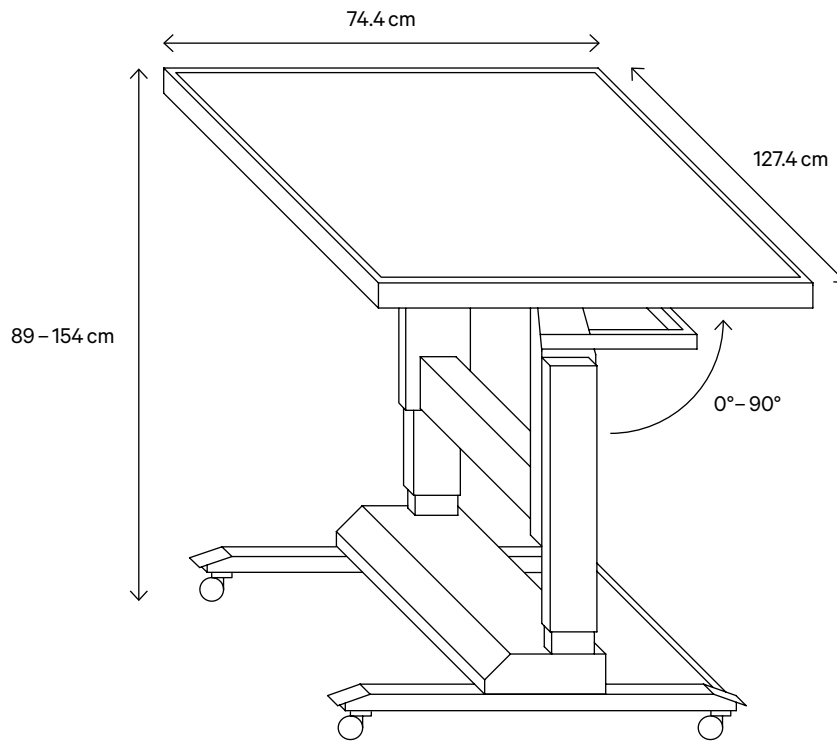
Scape[®] Movable



**Highly flexible Multi-Touch Table, Wall
or Console with Tangible Object Recognition**

Scape® Movable

High flexibility is assured with the **Scape®** Movable: choose height and angle and roll it around as you wish. Use it as a multi-touch table, wall or console.



Scape® Movable 55

Interactive Display with Capore® Object Recognition

- Reliable 3M™ projected capacitive multi-touch technology (PCap)
- 4K/UHD (3840 × 2160 px) LC-Display

➤ Details see Specs **Scape®** Tangible 43/55

Design Base

- Lift, height- and tilt-adjustable
- Black edition with wheels
- Integrated fitting for PC
- Reinforced display-mount

Options

- **Capore®** Object Basic: up to 10 IDs
- **Capore®** Object Plus: unlimited IDs
- **Capore®** Object Magnify: up to 3 IDs
- **Capore®** Shape: up to 3 IDs
- **Capore®** Custom

Further Options

- Application PC
- Flightcase P43/55
- Surrounding display frame in Corian® white

Scape® Movable 43

Article No:	s_smo-004
Dimensions (W × H × D)	99 × 58.7 × 92 cm
Weight	67 kg

Scape® Movable 55

Article No:	s_smo-002
Dimensions	127.4 × 74.4 × 92 cm
Weight	87 kg



Specifications

www.interactive-scape.com/link/en/scape_movable