

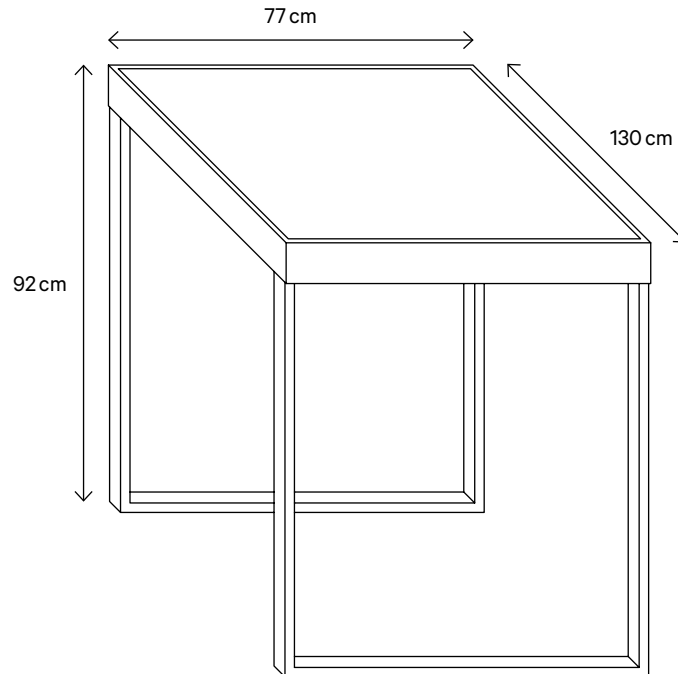
Scape® Pro



**High-Performance Multi-Touch Table
with Tangible Object Recognition**

Scape® Pro

High-Performance, Super-Silent Multi-Touch Table in Elegant Design with 4K/UHD Display, featuring Tangible Object Recognition.



Scape® Pro 55

Interactive Display with Capore® Object Recognition

- Reliable 3M™ projected capacitive multi-touch technology (PCap)
- 4K/UHD (3840 × 2160 px) LC-Display

➤ Details see Specs **Scape®** Tangible 55/65

Application PC

- Intel Core i5
- Ultra silent
- NVIDIA GTX 1070, 8 GB
- 16 GB RAM
- 250 GB SSD
- Interfaces: 2 × Gigabit Lan, WLAN 802.11ac/b/g/n, Bluetooth 4.0
- USB: 2.0, 3.0, 3.1
- Windows 10 Pro 64 bit

Options

- **Capore®** Object Basic: up to 20 IDs
- **Capore®** Object Plus: unlimited IDs
- **Capore®** Object Magnify: up to 3 IDs
- **Capore®** Shape: up to 3 IDs
- **Capore®** Custom
- Flightcase P55/65

Design Furniture

- Brush-finished stainless-steel table base
- Corian® frame

Scape® Pro 55

Article No:	s_sp-002
Dimensions (W × H × D)	130 × 77 × 92 cm
Weight	94.5 kg

Scape® Pro 65

Article No:	s_sp-003
Dimensions	155 × 92.5 × 92 cm
Weight	140 kg



Specifications

www.interactive-scape.com/link/en/scape_pro