

Scape®

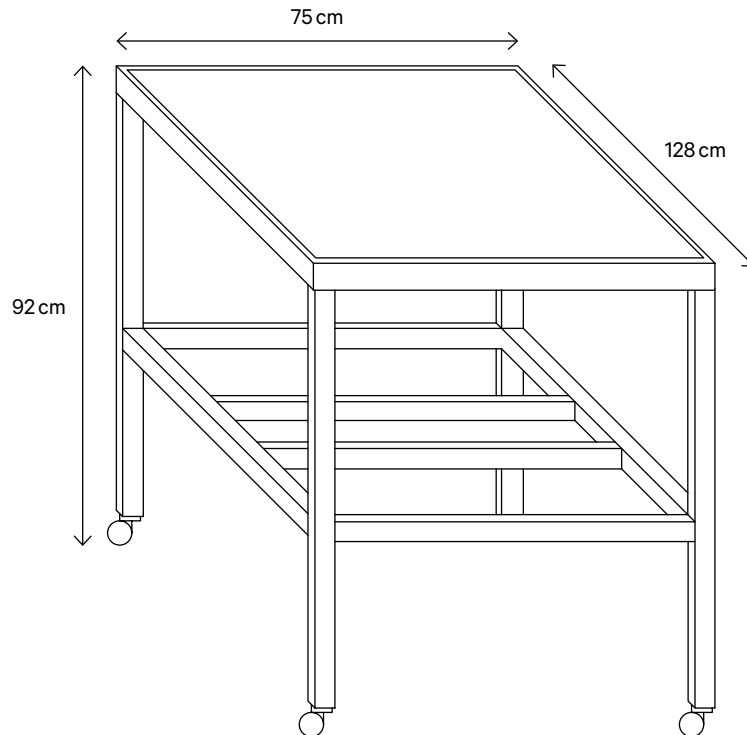
Lab



**Mobile High-Performance Multi-Touch Table
with optional Tangible Object Recognition**

Scape® Lab

A reliable multi-touch table on wheels which is easy to relocate and ready to use, with optional built-in tangible object recognition.



Scape® Lab 55

Interactive Display with optional Capore® Object Recognition

- Reliable 3M™ projected capacitive multi-touch technology (PCap)
- 4K/UHD (3840 × 2160 px) LC-Display

➤ Details see Specs **Scape®** Tangible 43/55/65

Design Base

- Steel frame, powder coated
- Traffic black RAL 9017, semi-gloss finish
- 4 locking caster wheels

Options

- **Capore®** Object Basic: up to 10 IDs
- **Capore®** Object Plus: unlimited IDs
- **Capore®** Object Magnify: up to 4 IDs
- **Capore®** Shape: up to 10 IDs
- **Capore®** Custom
- **Capore®** License

Further Options

- Application PC
- Flightcase ST43/55/65

Scape® Lab 43

Article No:	sla43-004
Dimensions (W × H × D)	100 × 92 × 60 cm
Weight	59 kg

Scape® Lab 55

Article No:	sla55-004
Dimensions (W × H × D)	128 × 92 × 75 cm
Weight	90 kg

Scape® Lab 65

Article No:	sla65-004
Dimensions (W × H × D)	153 × 92 × 90.5 cm
Weight	109 kg



Specifications

www.interactive-scape.com/link/en/scape_lab