

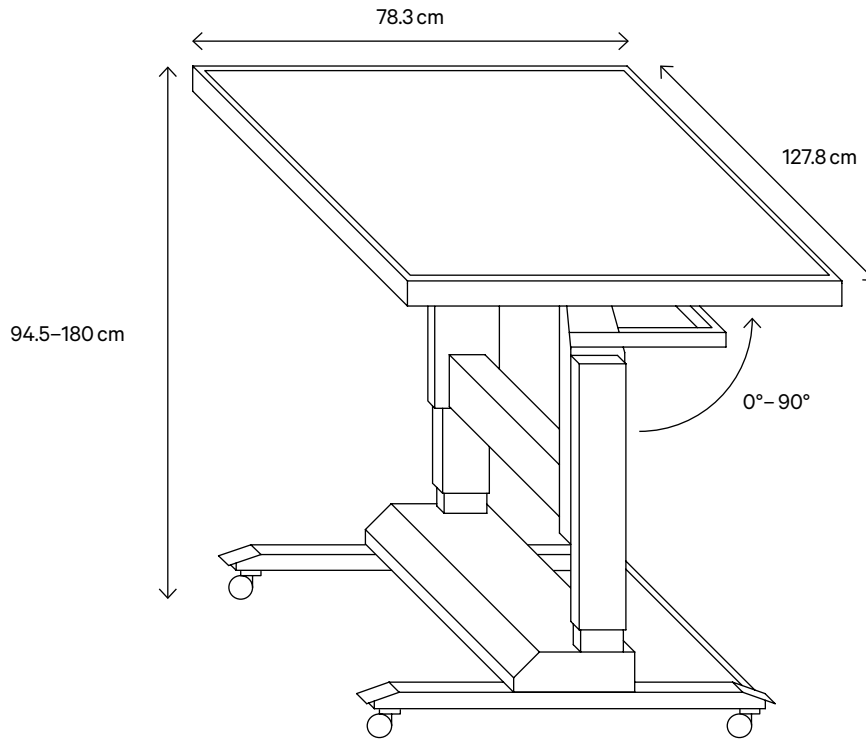
Scape[®] Movable



**Highly flexible Multi-Touch Table, Wall
or Console with optional Tangible Object Recognition**

Scape® Movable

High flexibility is assured with the **Scape®** Movable: choose height and angle and roll it around as you wish. Use it as a multi-touch table, wall or console.



Scape® Movable 55

Interactive Display ready for Capore® Object Recognition

- Reliable 3M™ projected capacitive multi-touch technology (PCap)
- 4K/UHD (3840 × 2160 px) LC-Display

➤ Details see Specs **Scape®** Tangible 43/55/65

Design Base

- Lift, height- and tilt-adjustable
- Black edition with wheels
- Integrated fitting for PC
- Reinforced display-mount

Options

- **Capore®** Object Basic: up to 10 IDs
- **Capore®** Object Plus: unlimited IDs
- **Capore®** Object Magnify: up to 4 IDs
- **Capore®** Shape: up to 10 IDs
- **Capore®** Custom
- **Capore®** License

Further Options

- Flightcase P43/55/65

Scape® Movable 43

Article No:	smo43-004
Dimensions (W × H × D)	98.9 × 91.6 × 70 cm
Weight	84 kg

Scape® Movable 55

Article No:	smo55-004
Dimensions (W × H × D)	127.8 × 94.5 × 78.3 cm
Weight	108 kg

Scape® Movable 65

Article No:	smo65-004
Dimensions (W × H × D)	152 × 94.7 × 89.6 cm
Weight	126 kg



Specifications

www.interactive-scape.com/link/en/scape_movable